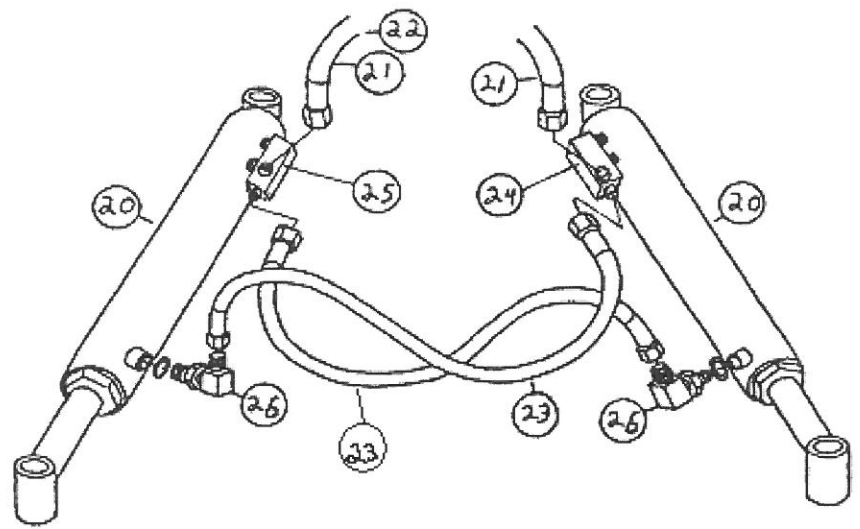
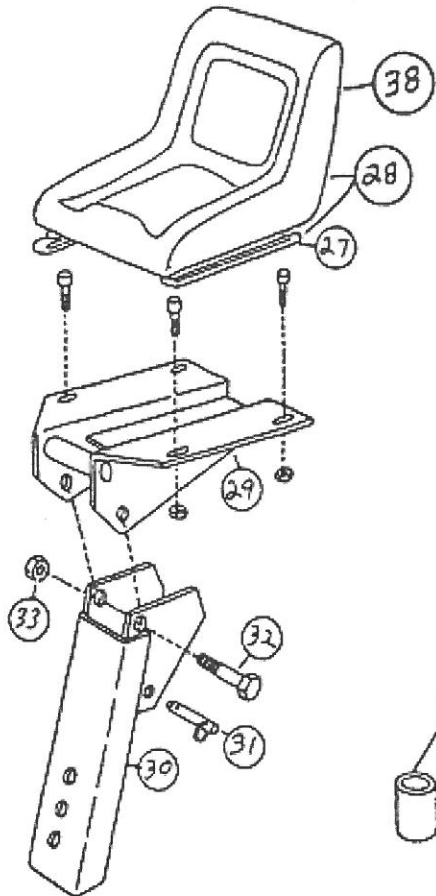
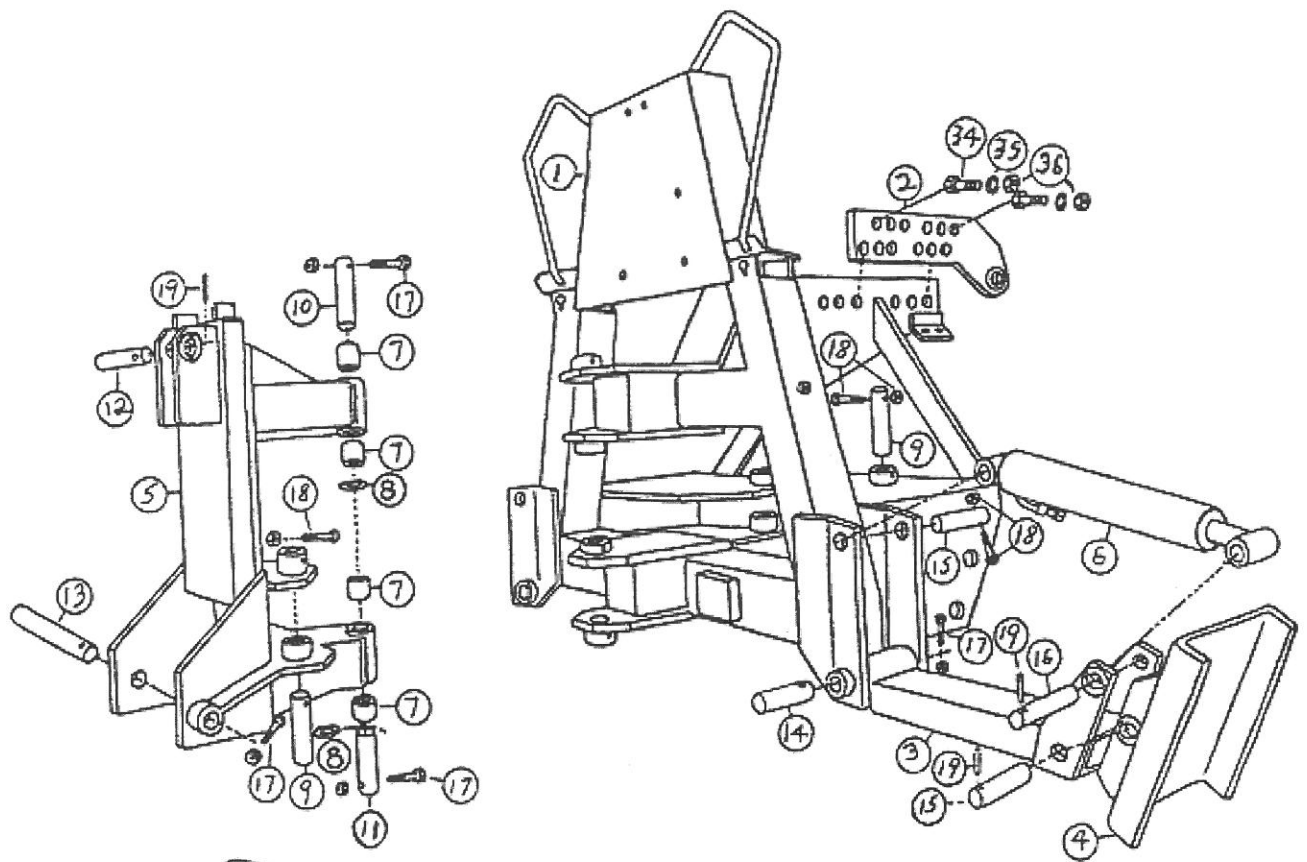




B60&B70
BACK-HOE
Parts Manual

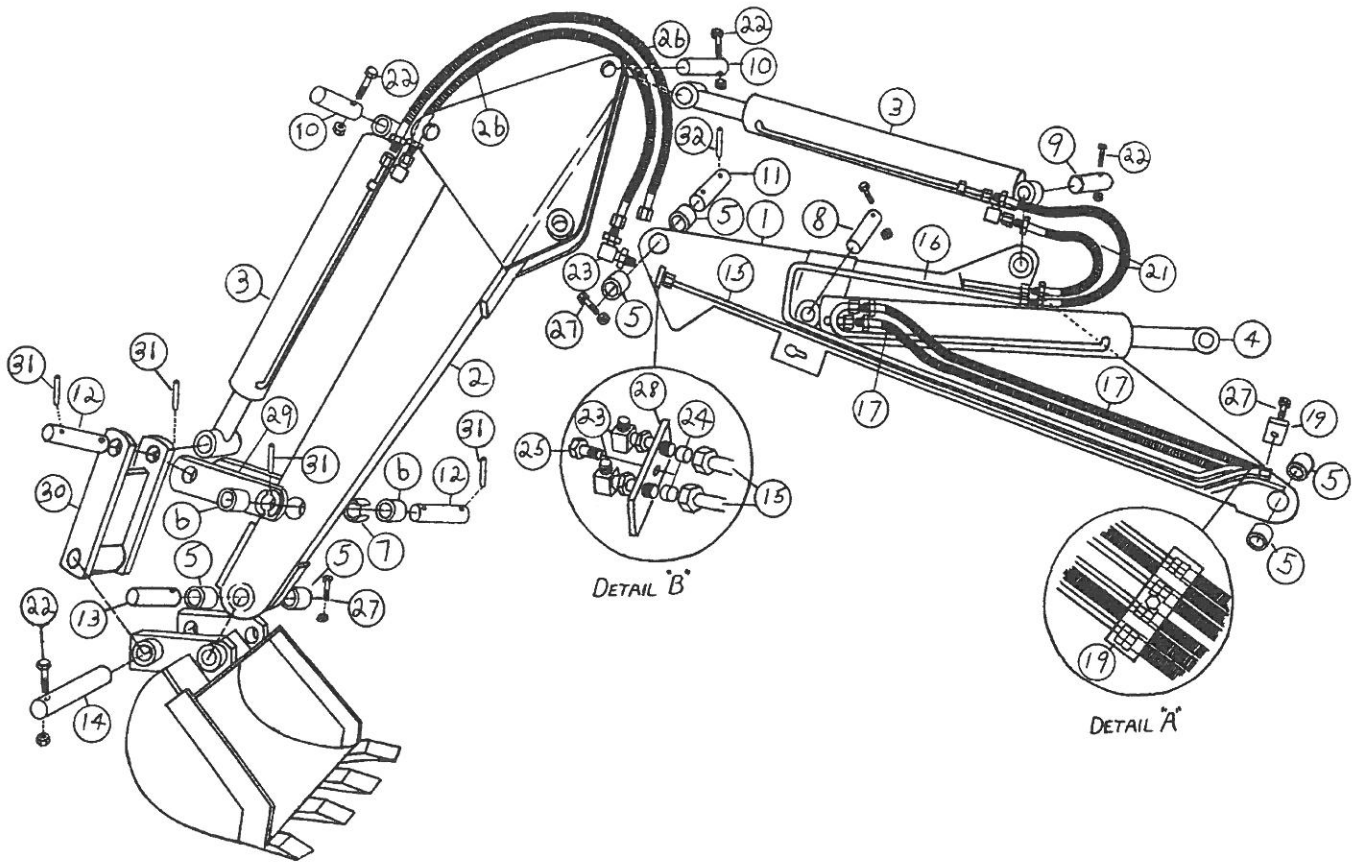
KELLEY MANUFACTURING CORPORATION

PO BOX 276 • 131 PROGRESSIVE DRIVE • OTTOVILLE, OHIO 45876 • PHONE 419-453-5539 • FAX 419-453-2278



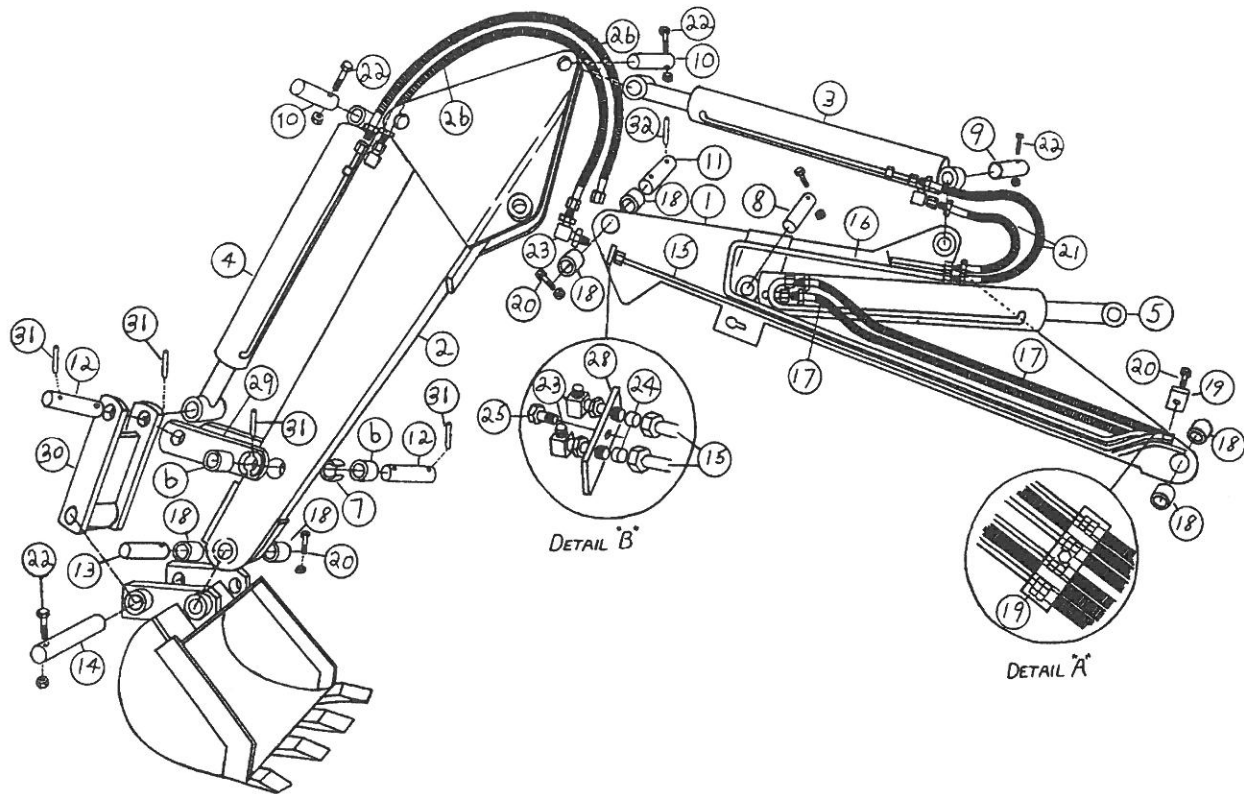
B60, B70 Main Frame, Stabilizer Seat and Swing

<u>ILL#</u>	<u>Qty</u>	<u>Part #</u>	<u>Description</u>
1	1	BMF10500	Main Frame Weld Assembly
2	1	BMF12208	Third Point Link B60/70
3	2	BMF11016	Stabilizer Folding Base RH & LH
4	2	BMF11017	Stabilizer Pad Folding LH & RH
5	1	BMF10508	Swing Mast Weld Assembly, B60
5	1	BMF10507	Swing Mast Weld Assembly, B70
6	2	BCY10541	Cylinder, 2-1/2" x 15" Stabilizer
7	4	SFT133	Wear Sleeve, 1-1/4" ID x 1-1/2" Steel
8	2	SWS10961	Washer, 1/4" ID (Heat Treated)
9	4	SPN10520	Pin, 1" x 6-1/4" Cylinder Base and Rod End
10	1	SPN11012	Pin, 1-1/4" x 7-3/8" Upper Swing Mast Pivot
11	1	SPN114	Pin, 1-1/4" x 6-7/8" Lower Swing Mast Pivot
12	1	SPN117	Pin, 1" x 4" Boom Cylinder Rod End
13	1	SPN116	Pin, 1-1/4" x 10-3/4" Boom Pivot
14	2	SPN10524	Pin, 1-1/4" x 7-1/4" Stabilizer Pivot
15	4	SPN10458	Pin, 1" x 7"
16	2	SPN11013	Pin, 1" x 5" Stabilizer Rod End
17	5	SBT10796	Capscrew, 3/8" x 2-1/2" w/Nut
18	6	SBT10795	Capscrew, 5/16" x 2" w/Nut
19	5	SPN10530	Roll Pin, 5/16" x 2"
20	2	BCY10539 RH	Cylinder, 2-1/2" x 12" R.H. Swing (Standing behind the machine designate right or left)
20	2	BCY10539 LH	Cylinder, 2-1/2" x 12" L.H. Swing (Standing behind the machine designate right or left)
		NOTE:	The above manifold are new style rigidly secured to Barrel Assembly mfg. After 1-01-00
20	2	BCY10539	Cylinder, 2-1/2" x 12" Swing (old style unites prior to 1-01-00)
21	2	SHO10082	Hose, 4P-6JFS-6JFS-26" Valve to Swing Cylinder
22	1	SHO10556	Hose, 4P-6JFS-6JFS-26" Valve to R.H. Swing Cylinder Used Prior to Serial #841926-002592 on B60 Used Prior to Serial #842257-002592 on B70
23	2	SHO11014	Hose, 4P-6JFS-6JFS-16" Swing Cylinder Beginning Serial #841926-002592 on B60 Beginning Serial #842257-002886 on B70
23	2	SHO348	Hose, 4P-6-0"Ring-6jfs-21" Swing Cylinder Used Prior to Serial #841926-002592 on B60 Used Prior to Serial #842257-002886 on B70
24	1	SFT314	Manifold, L.H. w/Cushion Valve (Old Style prior to 12-30-99)
25	1	SFT313	Manifold, R.H. w/Cushion Valve (Old Style prior to 12-30-99)
26	2	SFT312	Elbow, 853B x 6 O'ring
27	2	BMS232	Seat Adjuster
28	1	BMS215	Seat Assembly, Complete
29	1	BMS10186	Seat Base
30	1	BMS10187	Seat Channel
31	1	SPN10188	Pin, 1/2" x 4-1/4" Easy
32	1	SBT2050	Capscrew, 1/2" x 3 1/2"
33	1	SNT2060	Locknut, 1/2"
34	2	SBT169	Bolt, 7/8" x 2-3/4" NF Grade
35	2	SWS245	Lockwasher, 7/8"
36	2	SNT393	Nut, 7/8" NF Hex
38	1	BMS231	Seat
NI	1	BMS109	Bushing, 1" to 1-1/4" Cat.II to Cat.III
NI	10	SFT11734	Zerk, 1/4" Threaded
NI	1	BMS10788	Decal Set, B70
NI	1	BMS10789	Decal Set, B60
NI	2	SPN10516	Pin 1-1/8" x 6" Drawbar
NI	2	SPN10515	Pin, 1-1/8" x 6-3/8" Lower Link Lock
NI	2	SPN141	Pin Lynch, 7/16"
NI	1	BMF10501	Cover, Control Panel B60/70
NI	2	SBT10502	Screw, 1/4" x 3/4" Metal
NI	1	BMF13016	Boom Lock-Flip Over-used since Jan, 2000 W/5/16" x 2-1/2" Roll Pin



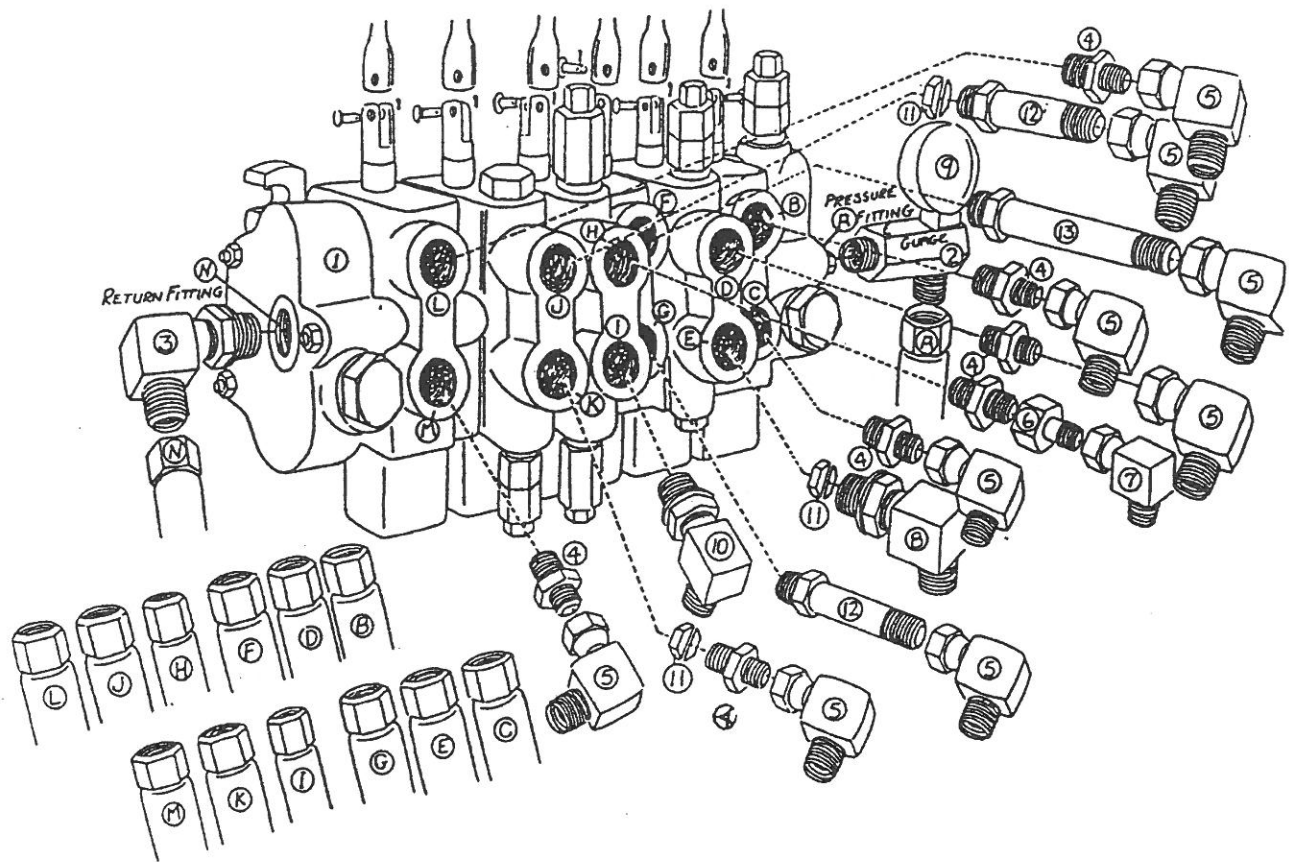
B60 Boom, Dipper Stick and Bucket

<u>ILL NO</u>	<u>Qty</u>	<u>Part No</u>	<u>Description</u>	<u>ILL NO</u>	<u>Qty</u>	<u>Part No</u>	<u>Description</u>
1	1	BMF178	Assembly Boom Weld	17	2	SHO163	Hose, 6P-8JM-8JFS-96" B60
2	1	BMF10505	Assembly Dipper Weld	19	1	BMT235	Clamp Plate, Hose & Oil Line
3	2	BCY10536	Cylinder, 2-1/2" x 26" Dipper/Bucket	21	2	SHO211	Hose, 6P-8JM-8JM-15" Dipper Stick Cyl.
4	1	BCY204	Cylinder, 3" x 32" Boom	22	4	SBT10795	Capscrew, 5/16" x 2" w/Nut
5	6	SFT133	Bushing 1-1/4" ID x 1-1/2" Steel	23	2	SFT128	Elbow, JIC Bulkhead C5525 x 8 w/Nut
6	2	SFT10979	Bushing 1 ID x 1" Steel	24	2	SFT10526	Bushing, Spacer B60/B70
7	1	SFT11011	Spacer, 1"ID x 2 3/8" Steel	25	1	SBT10502	Screw, 1/4" x 3/4" Metal
8	1	SPN10521	Pin, 1" x 8-3/4" Boom	26	2	SHO10533	Hose, 6P-8JFS-8JM-3/4" Bucket Cyl
9	1	SPN10519	Pin, 1" x 6-1/2" Dipper Cylinder Base End	27	3	SBT10796	Capscrew, 3/8" x 2-1/2"
10	2	SPN10522	Pin, 1" x 6" Bucket Base, Dipper Rod	28	1	BMT180	Plate, Bulkhead Elbow Retaining
11	1	SPN10525	Pin, 1-1/4" x 9 7/8"	29	2	BMF10510	Cylinder Link, B60/B70 Bucket
12	2	SPN10518	Pin, 1" x 7-7/8"	30	1	BMF10511	Bucket Link, B60.B70
13	1	SPN130	Pin, 1-1/4" x 8-1/8"	31	4	SPN10530	Roll Pin 5/16" x 2"
14	1	SPN11015	Pin, 1"x 8-1/8" Bucket	32	1	SPN10946	Roll Pin 3/8" x 2-1/2"
15	2	BOL10553	Steel Oil Line, Boom Straight #86	NI	8	SFT11734	Zerk, 1/4" Threaded
16	2	BOL10552	Steel Oil Line, Boom U-Shaped #85	NI		BMS10788	Decal Set, B60



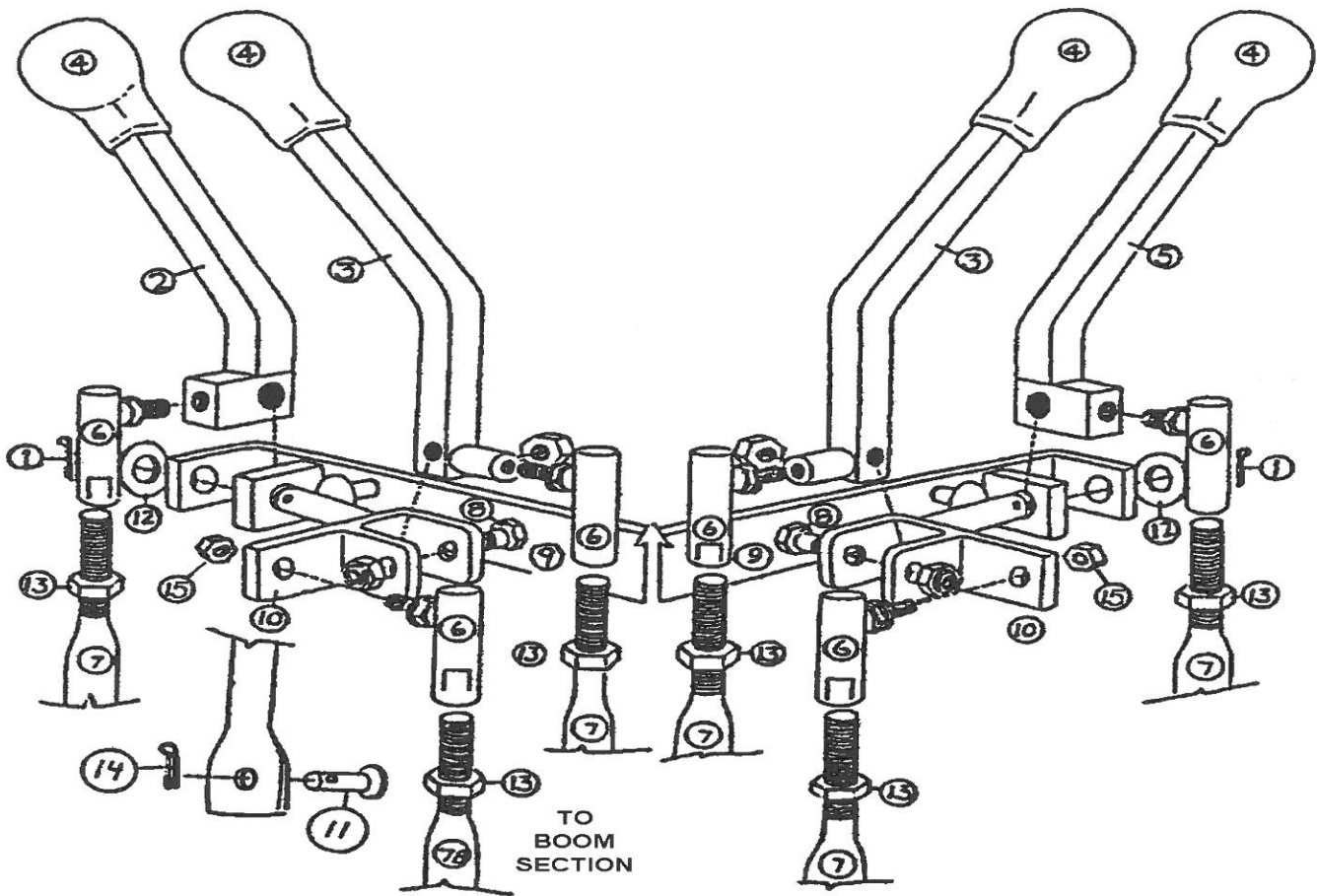
B70 Boom, Dipper Stick and Bucket

<u>ILL NO</u>	<u>Qty</u>	<u>Part No</u>	<u>Description</u>	<u>ILL NO</u>	<u>Qty</u>	<u>Part No</u>	<u>Description</u>
1	1	BMF10503	Assembly Boom Weld	18	6	SFT133	Bushing 1-1/4" ID x 1-1/2" Steel
2	1	BMF10504	Assembly Dipper Weld	19	2	BMT235	Clamp Plate, Hose & Oil Line
3	1	BCY10548	Cylinder, 2-1/2" x 32" Dipper	20	3	SBT10796	Capscrew 3/8" x 2-12" Gr 5
4	1	BCY 10536	Cylinder, 2-1/2" x 26" Bucket	21	2	SHO211	Hose, 6P-8JM-8JM-15" Dipper Stick Cyl.
5	1	BCY10547	Cylinder, 3" x 36" Boom	22	4	SBT10795	Capscrew, 5/16" x 2" w/Nut
6	2	SFT10979	Bushing 1 ID x 1" Steel	23	2	SFT128	Elbow, JIC Bulkhead C5525 x 8 w/Nut
7	1	SFT11011	Spacer, 1" ID x 2 3/8" Steel	24	2	SFT10526	Bushing, Spacer B60/B70
8	1	SPN10521	Pin, 1" x 8-3/4" Boom	25	1	SBT10502	Screw, 1/4" x 3/4" Metal
9	1	SPN10519	Pin, 1" x 6-1/2" Dipper Stick Cylinder Base	26	2	SHO10534	Hose, 6P-8JM-8JFS-50" Bucket Cylinder
10	2	SPN10522	Pin, 1" x 6" Dipper Rod end Bucket Base	28	1	BMT180	Plate, Bulkhead Elbow Retaining
11	1	SPN10525	Pin, 1-1/4" x 9-7/8" Stick Pivot	29	2	BMF10510	Cylinder Link, B60/B70 Bucket
12	2	SPN10518	Pin, 1" x 7 7/8"	30	1	BMF10511	Bucket Link, B60/B70
13	1	SPN130	Pin, 1-1/4" x 8-1/8"	31	4	SPN10530	Roll Pin, 5/16" x 2"
14	1	SPN11015	Pin, 1" x 8-1/8" Bucket	32	1	SPN10946	Roll Pin 3/8"x2-1/2"
15	2	BOL10554	Steel Oil Line, Boom Straight #87	NI	8	SFT11734	Zerk, 1/4" Threaded
16	2	BOL10551	Steel Oil Line, Boom U-Shaped #84	NI	1	BMS10789	Decal set, B70
17	1	SHO164	Hose, 6P-8JM-8JFS-100" B70 Boom				



Valve, Fittings, & Hoses

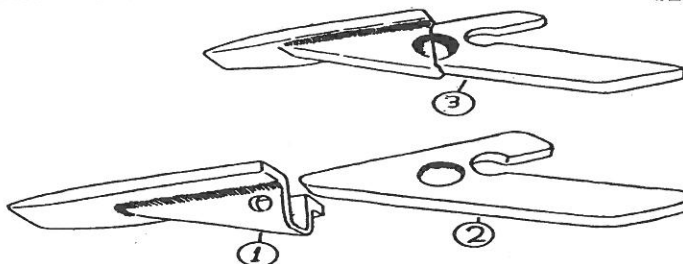
<u>ILL NO</u>	<u>Qty</u>	<u>Part No</u>	<u>Description</u>	<u>ILL NO</u>	<u>Qty</u>	<u>Part No</u>	<u>Description</u>
1	1	986757	Valve, Parker	A	1	SHO11123	Hose, 8P-8JFS 8 50" Pressure
2	1	SFT250	Fitting, Inlet Gauge	B	1	SHO10534	Hose, 6P-8JM-8JFS-50", Stabilizer
3	1	SFT10066	Elbow, 10 O'Ring to 8JM	C	1	SHO10534	Hose, 6P08JM-8JFS-50" Stabilizer
4	6	SFT270	Adapter, 850B x 8JM	D	1	SHO10534	Hose, 6P08JM-8JFS-50" Stabilizer
5	9	SFT271	C5506x8 90° Elbow	E	1	SHO10534	Hose, 6P08JM-8JFS-50" Stabilizer
6	1	SFT10921	Adaptor, 8 To 6JIC	F	1	SHO10534	Hose, 6P08JM-8JFS-50" Stabilizer
6	1	SFT10922	Nut, 8JIC	G	1	SHO10534	Hose, 6P08JM-8JFS-50" Stabilizer
7	1	SFT308	Elbow, 863B x 6 Swivel	H	1	SHO10082	Hose, 4P-6JFS-6JFS-26" L.H. Swing Cyl.
8	1	SFT272	Elbow, 853B x 8 90 Degree O'Ring	I	1	SHO10082	Hose, 4P-6JFS-6JFS-26" L.H. Swing Cyl.
9	1	SMS10033	Gauge, Pressure	J	2	SHO164	Hose, 6P-8JM-8JFS-100" Boom Down (B70)
10	1	SFT306	853B x 6 O'Ring	K	2	SHO163	Hose, 6P-8JM-8JFS-96" Boom Raise (B60)
11	2	255304	Restrictors 3/32"	L	1	SHO10534	Hose, 6P08JM-8JFS-50" Stabilizer
11	2	255304A	Restrictors 1/8"	M	1	SHO10534	Hose, 6P08JM-8JFS-50" Stabilizer
11	2	255304B	Restrictors 1/16"	N	1	SHO11123	Hose, 8P-8JFS-8-50" Return
12	1	SFT269	Connector, 851B x 8 Extended				
13	1	SFT11005	Connector, 05-9001 Extended				



ILL NO	Qty	Part No	Description
		7	5 BMS12603 Control Rod, 13 1/2" for all except Boom Section
		7B	1 BMS12604 Control Rod, 12 1/2" for all except Boom Section
1	2	SPN2113	Pin, 1/8" x 1" Cotter
2	1	BMS10054	Control Handle, Stabilizer RH
3	2	BMS10053	Control Handle, Dipper/Boom/Swing
4	6	SMS10030	Handle Grip
5	1	BMS10052	Control Handle Stabilizer LH
6	6	BMS12595	Ball Joint Connector
		8	2 SMS10057 Lever Bolt with Locknut
		9	1 BMS10058 Control Bracket
		10	2 BMS10059 Control Pivot Bracket Assembly
		11	6 SPN10060 Control Rod Pin, 1/4" x 3/4"
		12	2 SWS2112 Washer, 1/2" S.A.E.
		13	6 SNT11382 Jam Nut 5/16" NF
		14	6 SPN297 Pin, 1/6" x 1" Cotter
		15	2 SNT2018 5/16" NC Locknut
		NI	4 SWS2019 5/16" Internal lockwasher
		NI	1 BMS10062 Control Handle Assembly (Includes All part except ILL. NO.'s 1, 7, and 11

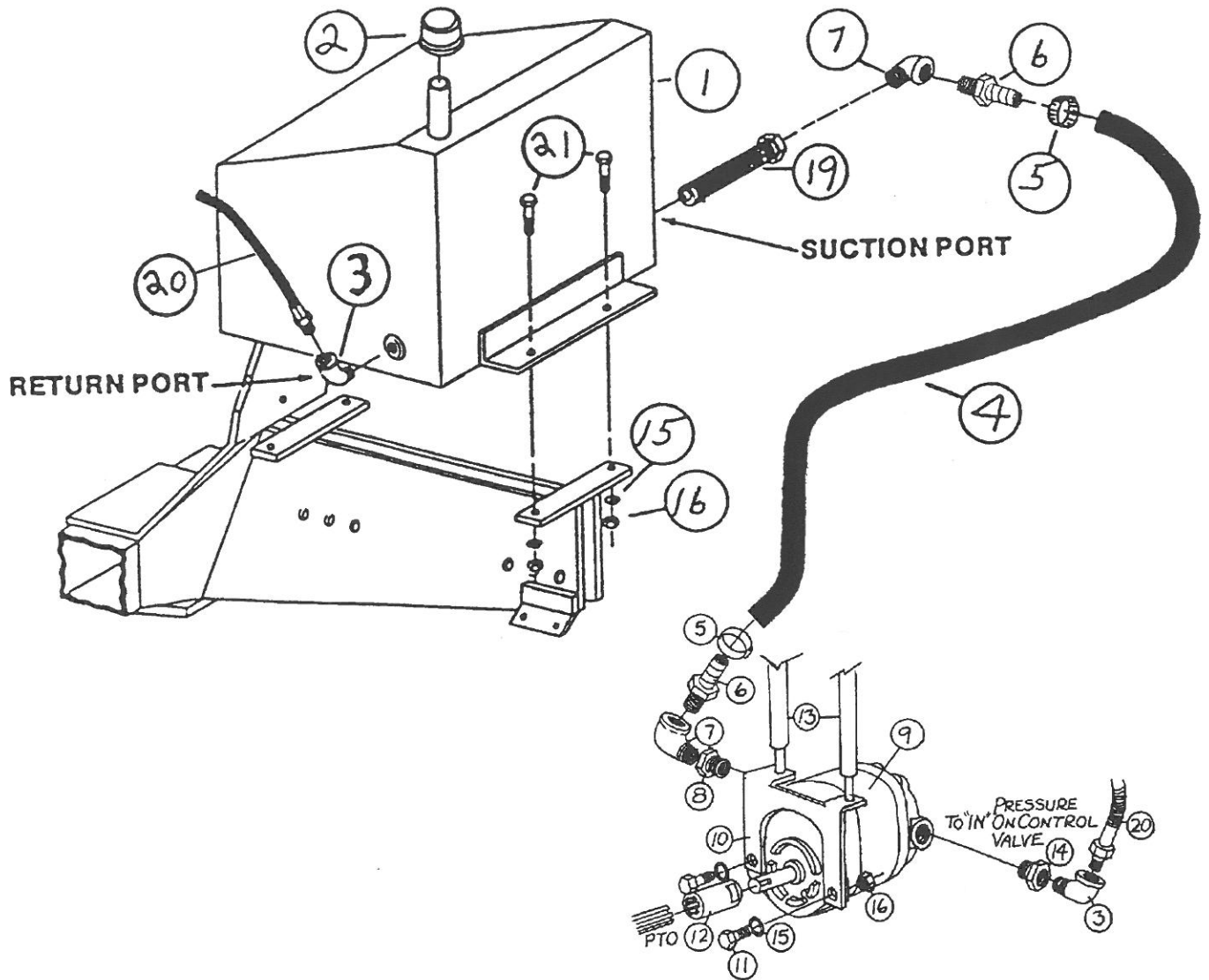
#1-BBK168 POINT

#2 BBK167 SHANK



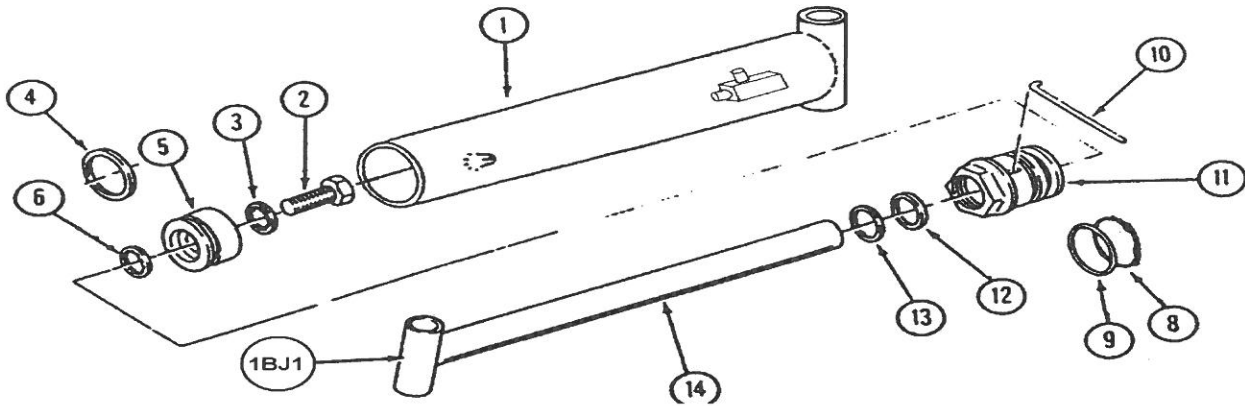
#3 BBK192 Tooth Assembly

ILL NO	Qty	Part NO	Description
1		BBK168	Point, Tooth
2		BBK167	Shank, Tooth
3		BBK192	Tooth Assembly



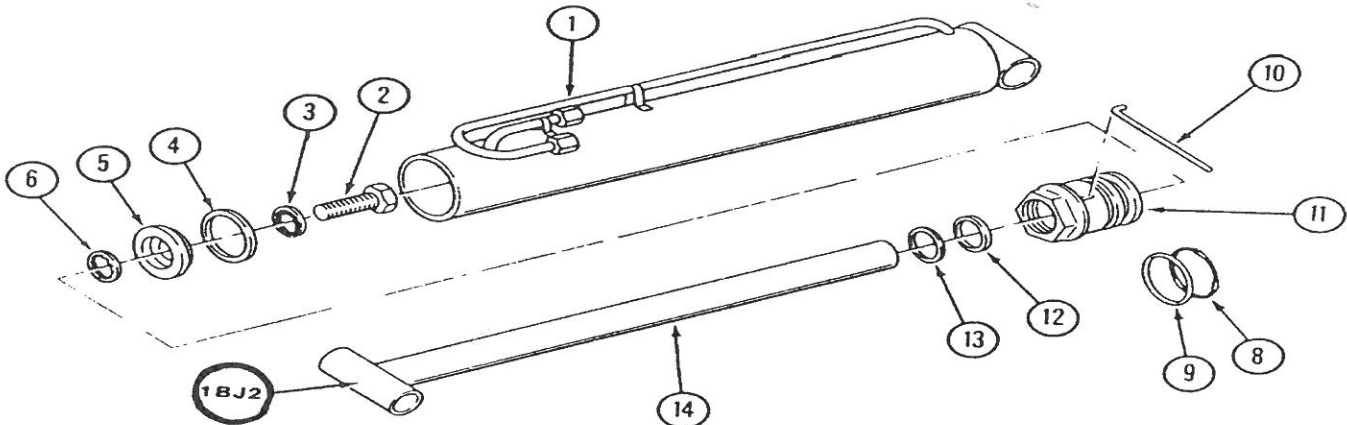
BCP10605-540 RPM-PTO Independent Hydraulic Pump System

ILL NO	Qty	Part No	Description	ILL NO	Qty	Part NO	Description
1	1	BPP10712	Reservoir	12	1	SPP6243	540, 1 3/8 PTO Pump Drive Coupler w/1" Bore
2	1	SPP2639	Breather Cap	13	2	SMS13286	Rubber Hose Cover 3/4" x10"
3	2	SFT2527	Street Ellbow 1/2"	14	1	SFT2645	Pressure adapter Fitting, 5406-20-16
4	1	SHO11140	Hose, 16R-0-0-50" Suction	15	6	SWS2061	Lockwasher 1/2"
5	2	SCL2640	Hose Clamp 1"	16	6	SNT2062	Nuts 1/2"
6	2	SFT13096	Hose Barb 1"	19	1	SPP6230	Filter
7	2	SFT2529	90 Degree Street Elbow, 1"	20	1	SHO11123	Hose, 8P-8-8JFS-50"-Pressure and return
8	1	SFT2644	Pump Adapter fitting, 6405-20-16	21	4	SBT2043	Capscrew, 1/2 x 1-1/2"
9	1	SPP6242	388K Webster Pump (side ported)	NI	1	SFT2503	Drain Pipe Plug, 1/2"
10	1	SPP6245	Torque Bar For 388K	NI	1	BCP10109	Parts Carton (Except Reservoir)
11	2	SBT2047	Capscrew, 1/2" x 2"				



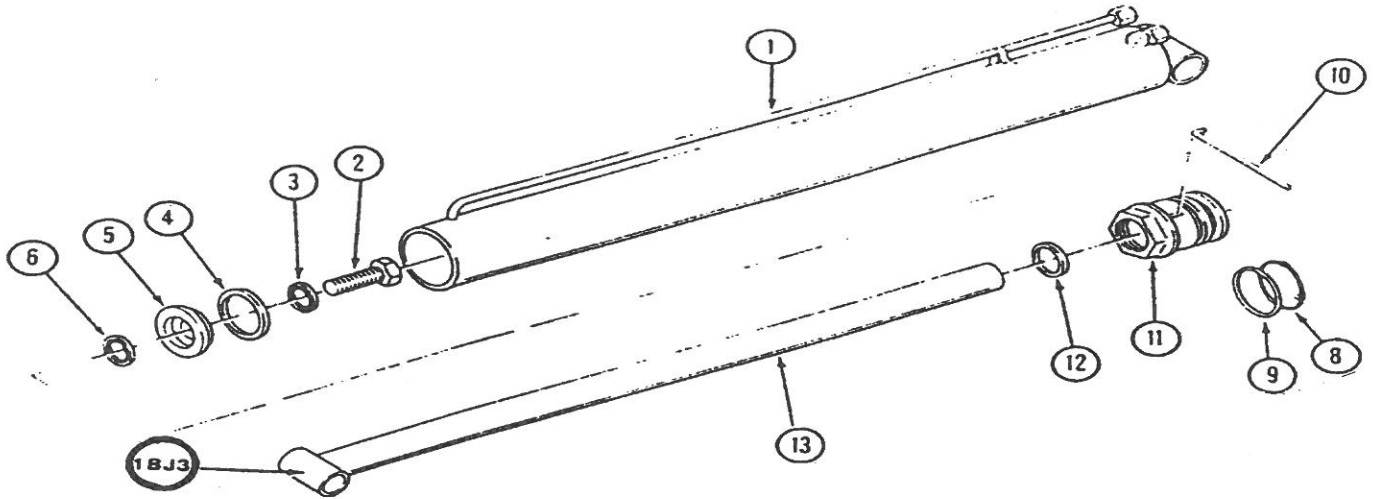
BCY10539R SWING CYLINDER 2-1/2" x 12" New Style (MFG Since Jan, 2000)
BCY10539L

Ref. NO.	QTY	Part NO.	Description	Ref. NO.	QTY	Part NO.	Description
1	1	SCY10540L	Barrel Assembly LH	9	1	SCY1070	Back Up Ring 2-1/2"
1	1	SCY10540R	Barrel Assembly RH	8	1	SCY1024	O'Ring 2-1/2"
2	1	SBT1017	Capscrew, 7/8" X 2 NF	10	1	SCY1026	Lockwire
3	1	SCY1018	Dyna Seal, 7/8"	11	1	SCY1023	Cylinder Head
4	1	SCY1019	Piston Seal	12	1	SCY1025	Rod Seal
5	1	SCY356	Piston	13	1	SCY1027	Rod Wiper
6	1	SWS245	Internal Lockwasher	14	1	SCY1067B	Rod Assembly
NI		SCY1030	Seal Kit (Includes Reference Numbers 3, 4, 8, 10, 12 and 13)				



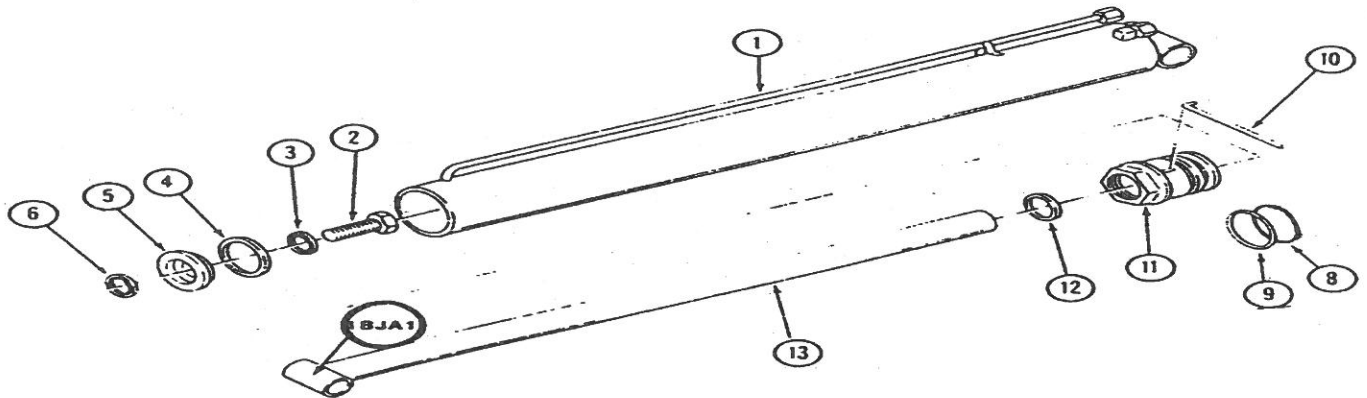
BCY10541 STABILIZER CYLINDER 2-1/2" X 15"

Ref. NO.	QTY	Part NO.	Description	Ref. NO.	QTY	Part NO.	Description
1	1	SCY10542	Barrel Assembly	10	1	SCY1026	Lockwire
2	1	SBT1017	Capscrew, 7/8"	11	1	SCY1023	Cylinder Head
3	1	SCY1018	Dyna Seal, 7/8"	12	1	SCY1025	Rod Seal
4	1	SCY13285	Piston Seal Polypack	13	1	SCY1027	Rod Wiper
5	1	SCY1020	Piston	14	1	SCY10783	Rod Assembly
6	1	SWS245	Internal Lockwasher	NI		SCY13300	Seal Kit Polypack (Include Reference Numbers 3, 4, 8, 9, 10, 12 and 13)
8	1	SCY1024	O'Ring 2-1/2"				
9	1	SCY1070	Back Up Ring 2-1/2"				



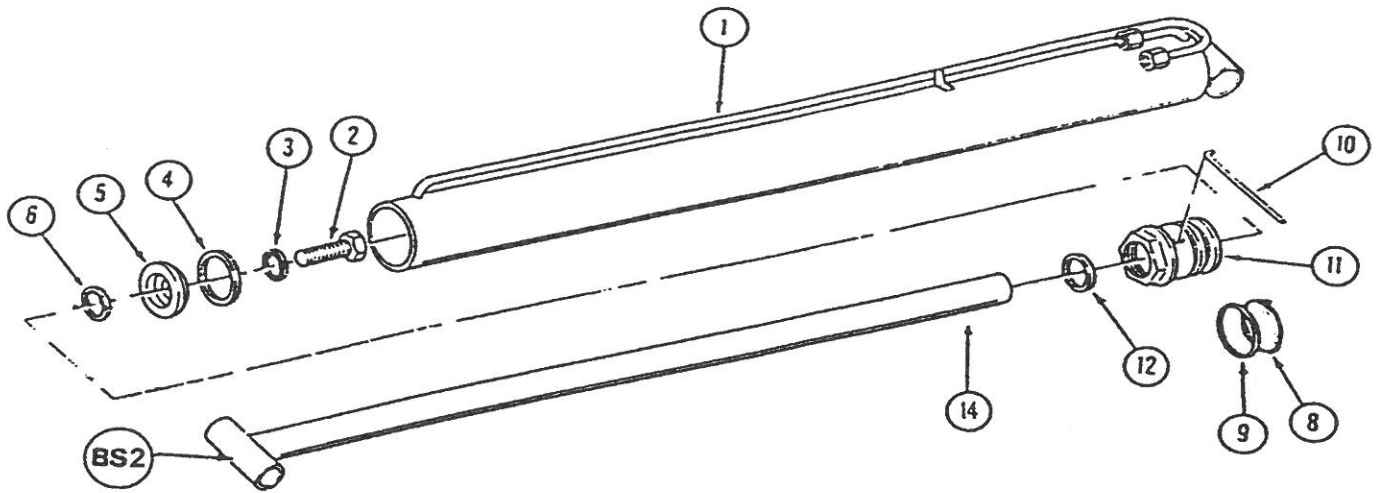
**BCY10536 BUCKET CYLINDER FOR B60 and B70
DIPPER STICK CYLINDER FOR B60 2-1/2" x 26"**

Ref. NO.	QTY	Part NO.	Description	Ref. NO.	QTY	Part NO.	Description
1	1	SCY1074	Barrel Assembly	9	1	SCY1070	Back Up Ring 2-1/2"
2	1	SBT1017	Capscrew, 7/8"	8	1	SCY1024	O'Ring 2-1/2"
3	1	SCY1018	Dyna Seal, 7/8"	10	1	SCY1026	Lockwire
4	1	SCY1019	Piston Seal	11	1	SCY223	Cylinder Head
5	1	SCY224	Piston	12	1	SCY1006	Rod Wiper
6	1	SWS245	Internal Lockwasher	13	1	SCY10538	Rod Assembly
NI		SCY222	Seal Kit (Includes Reference Numbers 3, 4, 8, 9, 10, 12 and 13)				



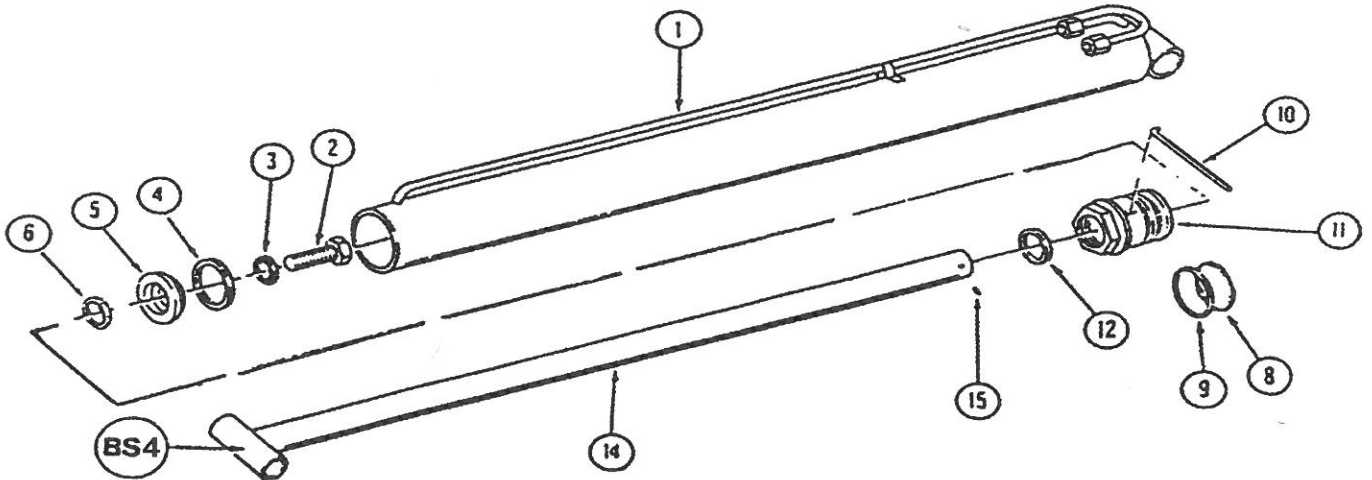
BCY10548 DIPPER STICK CYLINDER for B70 2-1/2" X 32"

Ref. NO.	QTY	Part NO.	Description	Ref. NO.	QTY	Part NO.	Description
1	1	SCY1076	Barrel Assembly	8	1	SCY1024	O'Ring 2-1/2"
2	1	SBT1017	Capscrew, 7/8" X 2" NF	10	1	SCY1026	Lockwire
3	1	SCY1018	Dyna Seal, 7/8"	11	1	SCY223	Cylinder Head
4	1	SCY1019	Piston Seal	12	1	SCY1006	Rod Seal 1-1/2"
5	1	SCY224	Piston	13	1	SCY10549	Rod Assembly
6	1	SWS245	Internal Lockwasher	NI		SCY222	Seal Kit (Includes Reference Numbers 3, 4, 8, 9, 10, 12 and 13)
9	1	SCY1070	Back Up Ring 2-1/2"				



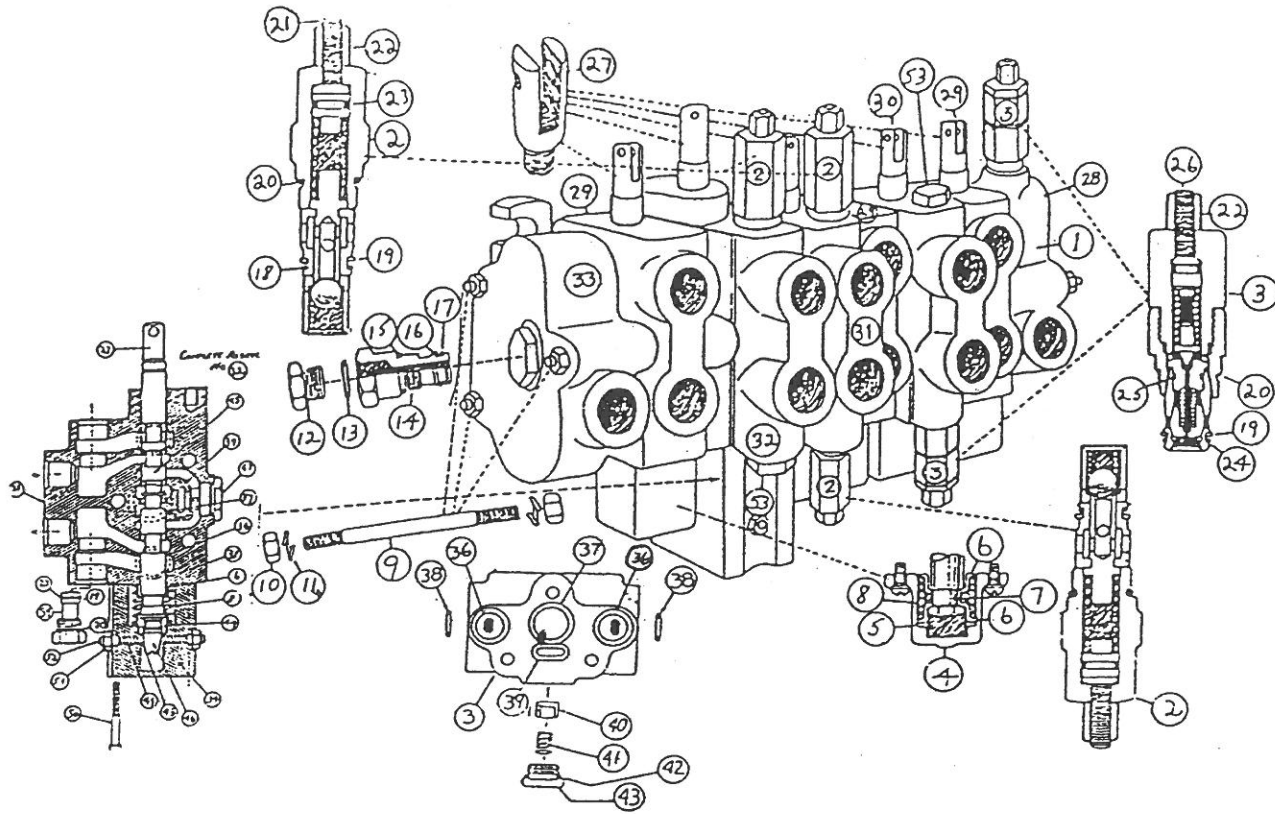
BCY204 3" X 32" BOOM CYLINDER
For B60C

Ref. NO.	QTY	Part NO.	Description	Ref. NO.	QTY	Part NO.	Description
1	1	SCY1078	Barrel Assembly	10	1	SCY221	Lockwire
2	1	SBT1017	Capscrew, 7/8"	11	1	SCY234	Cylinder Head
3	1	SCY1018	Dyna Seal, 7/8"	12	1	SCY1013	Rod Seal 1- 3/4"
4	1	SCY10791	Piston Seal 3"	13	1	SCY229	Rod Wiper 1-3/4"
5	1	SCY10793	Piston	14	1	SCY1077	Rod Assembly
6	1	SWS245	Internal Lockwasher	15	1	SBT10794	Set Screw 1/4"
9	1	SCY296	Back-up Ring 3"			SCY10792	Seal Kit (Includes Reference Numbers 3, 4, 8, 9, 10, 12 and 13.)
8	1	SCY233	O'Ring 3"				



BCY10547 Boom CYLINDER for B70 3" X 36"

Ref. NO.	QTY	Part NO.	Description	Ref. NO.	QTY	Part NO.	Description
1	1	SCY10545	Barrel Assembly	10	1	SCY221	Lockwire
2	1	SBT1017	Capscrew, 7/8" X 2" NF	11	1	SCY234	Cylinder Head
3	1	SCY1018	Dyna Seal, 7/8"	12	1	SCY1013	Rod Seal 1- 3/4"
4	1	SCY10791	Piston Seal 3"	13	1	SCY229	Rod Wiper 1-3/4"
5	1	SCY10793	Piston	14	1	SCY10546	Rod Assembly
6	1	SWS245	Internal Lockwasher	15	1	SBT10794	Set Screw 1/4"
9	1	SCY296	Back Up Ring 3"	NI		SCY10792	Seal Kit (Includes Reference Numbers 3, 4, 8, 9, 10, 12 and 13)
8	1	SCY233	O'Ring 3"				



**Valve/Gresen Rexnord w/float spool
B30, B60, B70**

<u>Ill</u> <u>NO.</u>	<u>QTY</u>	<u>Part</u> <u>NO.</u>	<u>Description</u>	<u>Ill.</u> <u>NO.</u>	<u>QTY</u>	<u>Part</u> <u>NO.</u>	<u>Description</u>
1	1	986757	Valve, Gresen/Rexnord w/float spool	29	1	981100	L.H. and R.H. Stabilizer & Bucket
2	3	785197	Cartridge, Relief Anti-Cavitation	30	3	980972	Stick Cylinder Section
3	2	785056	Cartridge, Relief	31	1	980973	Swing Section
4	6	254000	Cover	32	1	981139	Boom Section w/Float Position
5	6	255034	Spacer	33	1	980774	Outlet Section
6	11	255013	Spring Retainer	34	1	254235	Lower Section
7	6	255035	Spool End	35	1	254241	Section Body
8	6	410512	Spring	36	12	490308	O'Ring
9	3	255162	Tie Rod	37	6	405895	O'Ring
10	6	401033	Tie Rod Nut	38	12	401248	O'Ring
11	6	400908	Tie Rod Lockwasher	39	6	406127	O'Ring
12	1	355098	Plug #10	40	6	255021	Load Check Piston
13	1	405393	O'Ring	41	6	410520	Spring
14	1	255049	Power Beyond Sleeve (optional)	42	6	405688	O'Ring
15	1	405688	O'Ring (optional)	43	8	255020	Plug
16	1	490975	Back Up Ring (optional)	44	1	255258	Spring Retainer
17	1	406460	O'Ring (Optional)	45	1	255257	Boom spool Only
18	3	404463	O'Ring	46	1	255305	Spool End, Float
19	5	490963	Back-up Ring	47	1	785011	Load Check Assembly
20	4	405393	O'Ring	48	2	401072	Ball, Detent
21	5	410556	Adjustment Screw	49	2	410560	Spring, Detent
22	5	255271	Jam Nut	50	2	402964	Screw, Allen Head
23	5	401272	O'Ring	51	2	401032	Nut
24	5	406484	O'Ring	52	2	410540	Screw, Allen Head
25	2	407229	Seat, O'Ring	53	2	785012	#8 SAE Plug Complete
26	2	410540	Adjustment Screw	54	2	255033	#8 SAE Plug (Only)
27	6	255002	Female Spool End	NI	5	255256	Spool half metering
28	6	981113	Inlet Section				